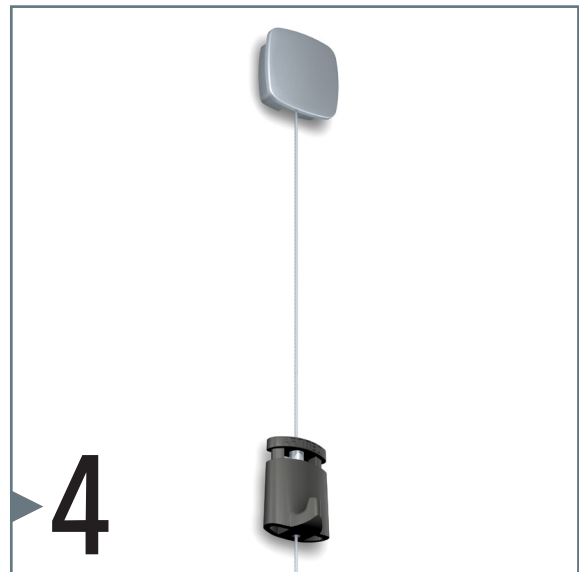
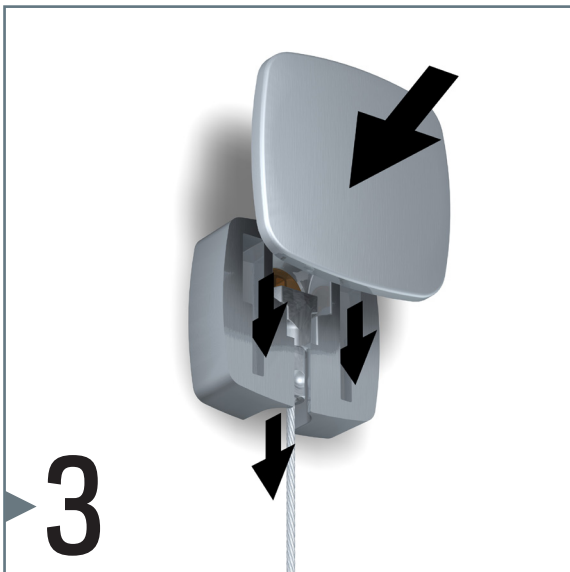
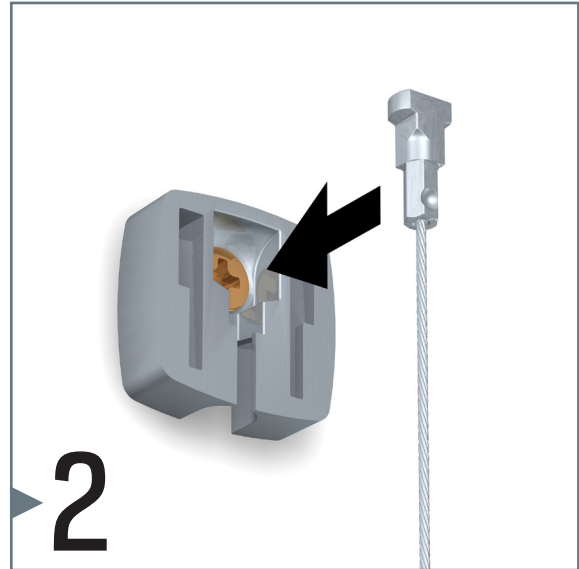
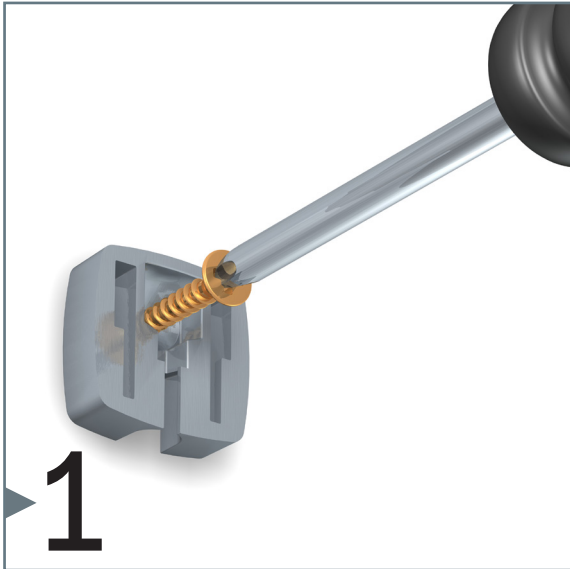


# UNIQU HANGER



5 (perlon)/10 (steelwire) KG/M



FLEXIBLE  
SAFE  
STRONG