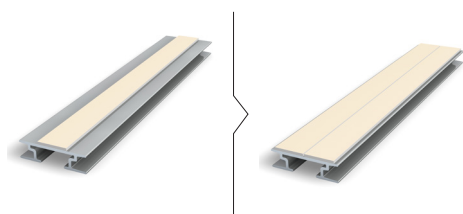
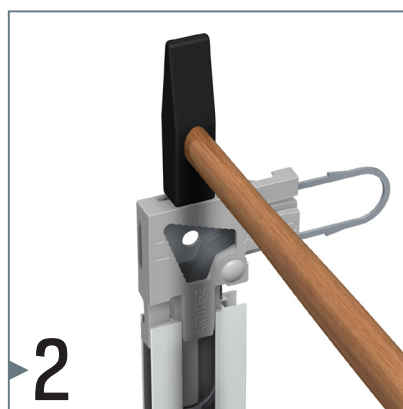
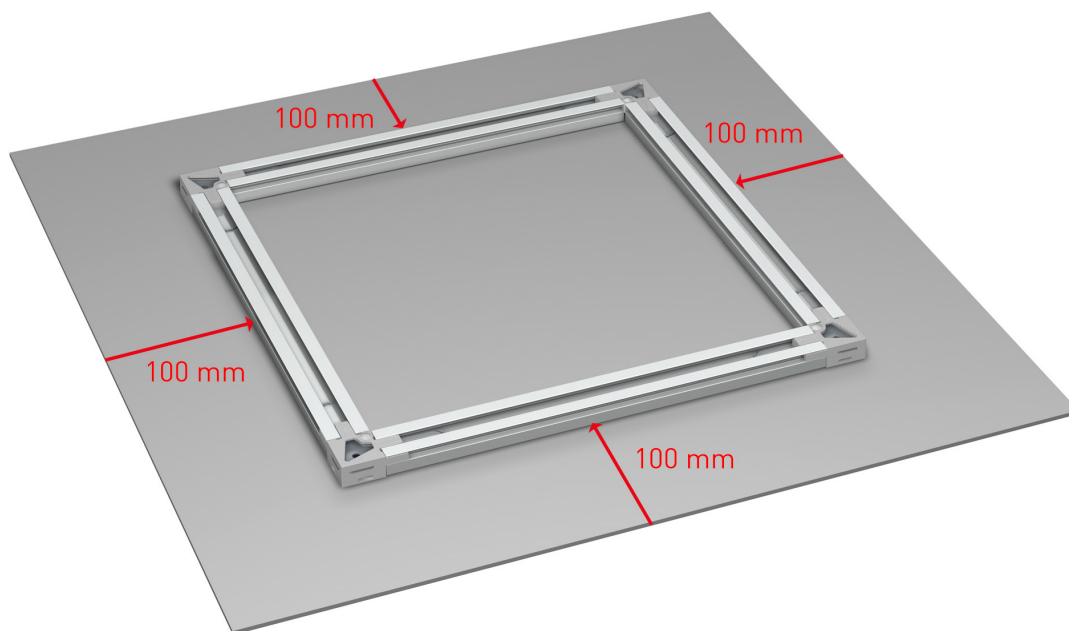


# ARTITEQ BACK FRAME HANGING SYSTEM



Material	Thickness	Tape required	For surface:
Dibond	3-6 mm	Single tape 12 mm	Up to 4 m <sup>2</sup>
Forex	3-5 mm	Single tape 12 mm	Up to 4 m <sup>2</sup>
Acryl	3-5 mm	Single tape 12 mm	Up to 4 m <sup>2</sup>
Glass	6 mm	Double tape 24 mm	Up to 2 m <sup>2</sup>



FLEXIBLE  
SAFE  
STRONG