

# HOOKS

Depending on the weight of a frame or other wall decoration, the right picture hook must be selected. The wide product range offers hooks with maximum load capacities varying from 4 kg to 20 kg.

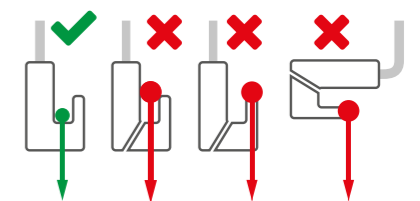
	30.41200 20 kg AUTO GRIP	30.41250 20 kg AUTO GRIP	30.41100 10/5 kg AUTO GRIP	9.4264 15 kg AUTO GRIP	9.4261 15 kg AUTO GRIP
	LOCK			LOCK	
<b>TWISTER 1 mm PERLON</b> 150 / 200 / 300 cm			✓		
<b>TWISTER 1 mm STEELWIRE</b> 150 / 200 / 300 cm			✓		
<b>TWISTER 1 mm STEELWIRE BLACK</b> 150 / 200 / 300 cm			✓		
<b>TWISTER 2 mm PERLON</b> 100 / 150 / 200 250 / 300 / 500 cm	✓	✓		✓	✓
<b>TWISTER 2 mm STEELWIRE</b> 100 / 150 / 200 250 / 300 / 500 cm	✓	✓		✓	✓
<b>TWISTER 2 mm 2 mm ROD WHITE</b> 100 / 200 cm	✓	✓			✓
<b>TWISTER CLIQ2FIX 2 mm PERLON</b> 100 / 150 / 200 250 / 300 cm	✓	✓		✓	✓
<b>SOLID SLIDER 2 mm PERLON*</b> 100 / 150 / 200 250 / 300 / 500 cm vanaf zijkant in te brengen	✓	✓		✓	✓
<b>SOLID SLIDER 2 mm STEELWIRE*</b> 100 / 150 / 200 250 / 300 / 500 cm vanaf zijkant in te brengen	✓	✓		✓	✓

\* SOLID SLIDER 2 mm PERLON/STEELWIRE ARE NOT ADVISED FOR CEILING SYSTEMS AND INTEGRATED SYSTEMS

	9.4208 10 kg MANUAL	9.4219 7 kg MANUAL	9.4209 7 kg MANUAL	9.4207 5 kg MANUAL	9.4205 4 kg MANUAL
<b>TWISTER 2 mm PERLON</b> 100 / 150 / 200 250 / 300 / 500 cm	✓	✓	✓	✓	✓
<b>TWISTER 2 mm ROD WHITE</b> 100 / 200 cm				✓	
<b>TWISTER CLIQ2FIX 2 mm PERLON</b> 100 / 150 / 200 250 / 300 cm	✓	✓	✓	✓	✓
<b>SOLID SLIDER 2 mm PERLON*</b> 100 / 150 / 200 250 / 300 / 500 cm vanaf zijkant in te brengen	✓	✓	✓	✓	✓

\* SOLID SLIDER 2 mm PERLON/STEELWIRE ARE NOT ADVISED FOR CEILING SYSTEMS AND INTEGRATED SYSTEMS

The maximum weight carrying capacity of a picture hook is only valid when the frame is correctly applied to the hook. This illustration shows how to correctly charge the picture hook.




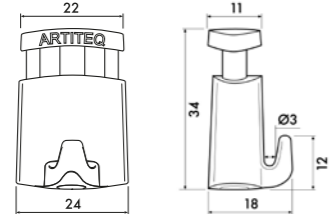

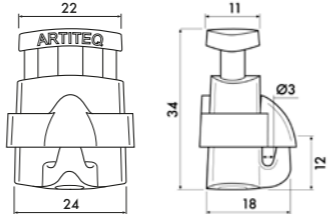
**Micro Grip** represents the newest generation of hooks. A high-quality plastic reinforced with fibreglass was chosen for this hook, leading to a 70% reduction in the use of materials compared with previous generations of hooks. In addition to the ecological advantages, the hook is extremely lightweight as a result, and very easy to use. The **Micro Grip** technology has been developed and patented by Artiteq. To guarantee the quality of the **Micro Grip** hooks, Artiteq has developed quality assurance procedures together with TÜV Nederland. The execution is under supervision of TÜV Nederland.


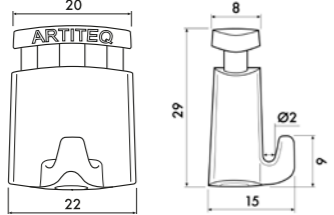

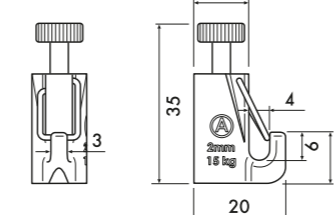



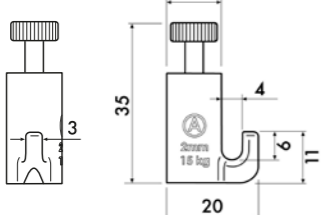

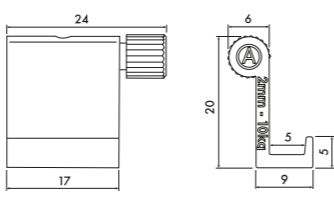
- LIGHTWEIGHT
- STRONG (20 kg)
- ERGONOMIC


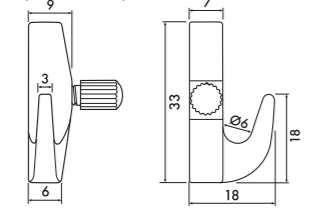

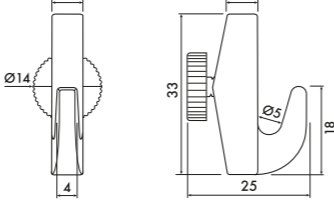



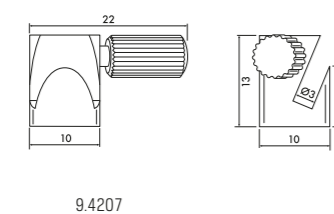

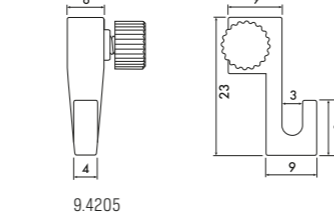
# HOOKS

  <p>30.41200 <b>20 kg</b> AUTO GRIP</p>	  <p>30.41250 <b>20 kg</b> AUTO GRIP</p>
--	---

  <p>30.41100 <b>10/5 kg</b> AUTO GRIP</p>	  <p>9.4264 <b>15 kg</b> AUTO GRIP</p>
--	---

  <p>9.4261 <b>15 kg</b> AUTO GRIP</p>	  <p>9.4208 <b>10 kg</b> MANUAL</p>
---	---

  <p>9.4219 <b>7 kg</b> MANUAL</p>	  <p>9.4209 <b>7 kg</b> MANUAL</p>
--	---

  <p>9.4207 <b>5 kg</b> MANUAL</p>	  <p>9.4205 <b>4 kg</b> MANUAL</p>
--	---

